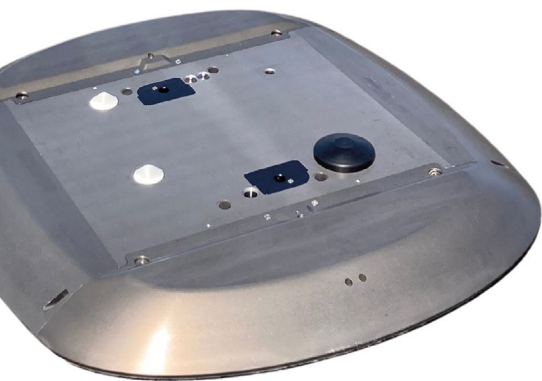


The future of VRU testing today

LaunchPad™ 80

Gen 2



Developed for reliable and realistic ADAS testing, the LaunchPad 80 is the fastest LaunchPad specifically for VRU testing, capable of carrying a motorcycle target at 80km/h and braking at over 0.6g. The LaunchPad 80 is now in its second generation, allowing direct control and data capture from a remote laptop and is primed for future battery upgrades. The LaunchPad 80 Gen 2 is the most capable and flexible LaunchPad yet.



Euro NCAP approved ADAS test platform



Hydraulic braking enabling 6m/s² deceleration



80km/h top speed with target fitted



Enhanced thermal resistance enables extended hot weather running



Battery capacity increased to 880Wh for extended running



Compatible with TrackFi PowerMesh and TrackFi radio systems



44 tonne truck drive over capacity



High power drives ready for higher voltages, for future battery technologies and higher operating speeds



4-wheel drive and 4-wheel steering for manoeuvrability



Compatible with OxTS and GeneSys miniature GNSS inertial navigation units



Aluminium chassis with IP67 weather resistance



Remote RC allows direct control and data capture from a remote laptop

Specification

LaunchPad™ Spin

Dimensions

892 x 868 x 65mm

Weight (approx.)

45kg (excluding batteries)

Weather resistance

Fully sealed electronics,
waterproof to IP67

Maximum speed (with target)

30km/h

Maximum acceleration

3m/s²

(excluding target)

Maximum braking

5m/s²

(excluding target)

Payload

Pedestrian, cyclist, motorbike,
moped, animal. Maximum 15kg

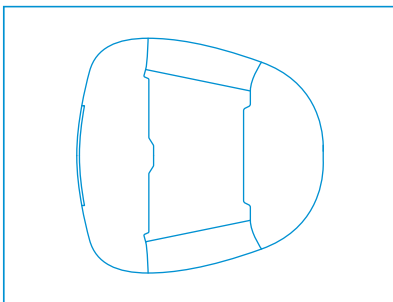
Batteries

High-capacity lithium-ion
battery packs 540Wh,
rapid battery swap system

Drive-over capacity

3550kg per wheel

Size comparison to scale



LaunchPad™ 60

Dimensions

917 x 875 x 65mm

Weight (approx.)

45kg (excluding batteries)

Weather resistance

Fully sealed electronics,
waterproof to IP67

Maximum speed (with target)

60km/h

Maximum acceleration

4m/s²

(excluding target)

Maximum braking

6m/s²

(excluding target)

Payload

Pedestrian, cyclist, motorbike,
moped, animal. Maximum 15kg

Batteries

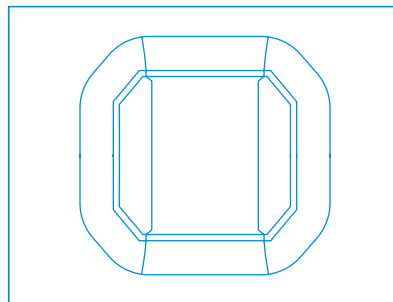
Twin high-capacity lithium-ion
battery packs 540Wh,
rapid battery swap system

Drive-over capacity

1000kg per wheel

3550kg per wheel (HD Panel)

Size comparison to scale



LaunchPad™ 80

Dimensions

1045 x 960 x 80mm

Weight (approx.)

75kg

Weather resistance

Fully sealed electronics,
waterproof to IP67

Maximum speed (with target)

80km/h

Maximum acceleration

3m/s²

(Euro NCAP PTW fitted)

Maximum braking

>6m/s²

(Euro NCAP PTW fitted)

Payload

Motorbike, moped
Maximum 15kg

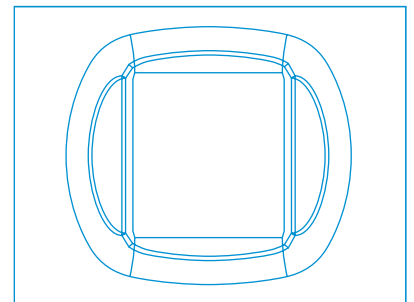
Batteries

Twin high-capacity LiFePO4
battery packs 880Wh,
rapid battery swap system

Drive-over capacity

3550kg per wheel

Size comparison to scale



About AB Dynamics

AB Dynamics is a leading global provider of automotive test and verification solutions that facilitate the development of vehicles that are safer, more efficient and sustainable. As part of the AB Dynamics Group of companies we enable customers to develop and test in virtual environments, validate on the track and then evaluate vehicles on public roads.

For more information:
www.abdynamics.com
info@abdynamics.com

SP25 Issue 7

© 2021-24 AB Dynamics. All rights reserved. AB Dynamics®, LaunchPad™, PowerMesh™ and TrackFi™ are trademarks and the property of AB Dynamics plc or its subsidiaries in the United Kingdom and elsewhere. Systems, components, methodologies and software supplied may be the subject of patent and design rights. Whilst this information is provided in good faith, no warranty or representation is given concerning such information, which must not be taken as establishing any contractual or other commitment binding upon AB Dynamics plc or any of its subsidiaries.

